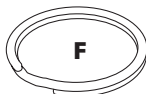
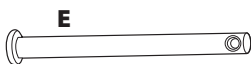
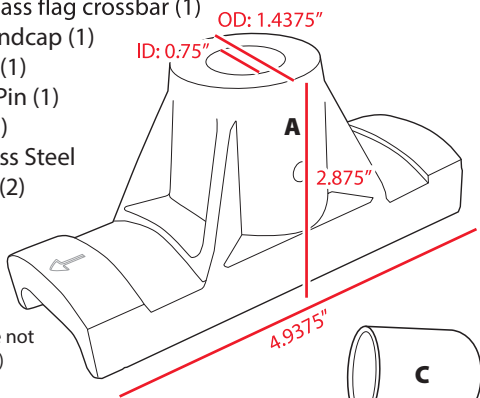


#PLBKTE Instruction Sheet

Contents:

- A** #PLBKTE Mounting Bracket (1)
- B** Fiberglass flag crossbar (1)
- C** Vinyl endcap (1)
- D** Zip tie (1)
- E** Clevis Pin (1)
- F** Ring (1)
- G** Stainless Steel Straps (2)



Assembly Instructions:

1. Fasten mounting bracket

(**A**) to pole using Stainless Steel Straps (**G**).

Make sure top bracket has arrow pointing upward and bottom bracket has arrow pointing downward.

This will ensure banner tautness.

(Flathead screwdriver required.)

2. Place vinyl endcap (**C**) onto the end of the fiberglass crossbar (**B**) (opposite end from hole).

3. Insert crossbar into bracket, aligning the holes in the crossbar and bracket.

4. Slide clevis pin (**E**) through each hole and secure by threading the key ring (**F**) through the hole at the end of the clevis pin.

5. Secure banner with zip tie (**D**) through ring and grommet.

